

Coolview Venus LED

Gynaecology Light



Coolview Venus is a high quality LED gynaecology light, providing intense bright light across a concentrated examination area.

Venus' excellent colour rendition easily distinguishes the differences in tissue tones.

Compact Design

The compact design allows the light to be positioned close to the patient area without causing obstruction to the practitioner. This in conjunction with excellent colour rendition prevents the formation of coloured shadows caused by obstructing instruments.



Variable Light Field

The light field can be adjusted between 6cm-35cm.

The physician can precisely tune the illuminated field size to provide intense bright light over an area as small as 6cm.

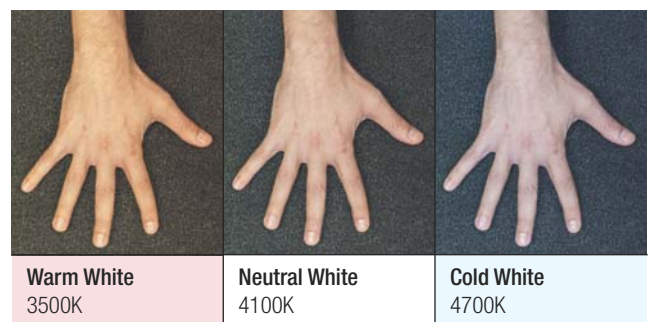


Colour and Intensity Settings

Venus has 3 different colour temperature settings (see fig 1.1). Certain skin characteristics are highlighted under different coloured light. This allows the practitioner to use the best coloured light during examinations.

The light intensity can be altered through 5 easily selectable settings between 10%-100%.

Fig 1.1



Coolview Venus LED

Gynaecology Light



TECHNICAL DATA

ILLUMINANCE FIELD 0,5 M	6-35 cm
COLOUR TEMPERATURE	approx. 3500 K / 4100 K / 4700 K
LUMINAIRE BODY	aluminium plastic
POWER CONSUMPTION	approx. 15 W
BALANCE OF ARTICULATION JOINTS	directional load compensation (DLC)
CLASS OF PROTECTION	I
SAFETY STANDARDS	EN 60601-1, EN 60601-2-41
SPECIAL FEATURES	3 colour shades, 5 dimming levels, maintenance free variable illumination field size
MOUNTING	wall, rail, table, mobile
LIGHT INTENSITY	20,000 at 0.5m

PART No

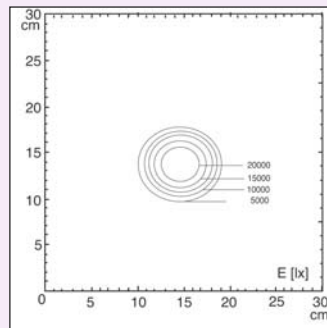
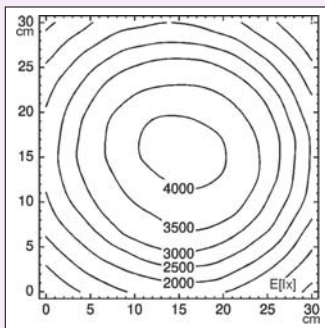
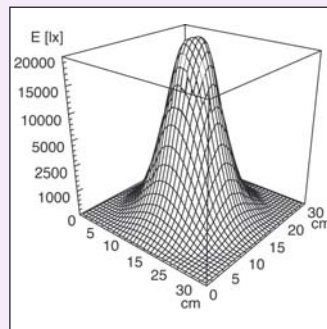
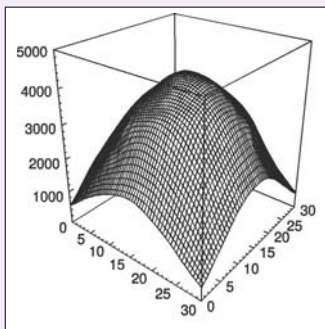
MOUNTING TYPE

CVLED15LX	Back-plate mounted examination light
CVLED15LXD	Desk mounted examination light
CVLED15LXM	Mobile Unit
CVLED15LXR	Rail mounted examination light
CVLED15LXW	Wall mounted examination light
CVLED15S6R	Chair Fastening

LIGHT DISTRIBUTION

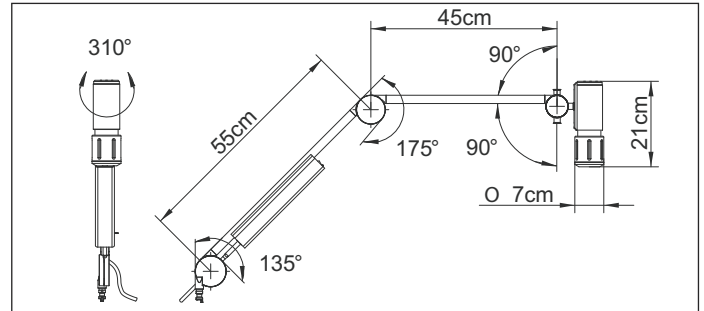
illuminance field 35 cm

illuminance field 6 cm

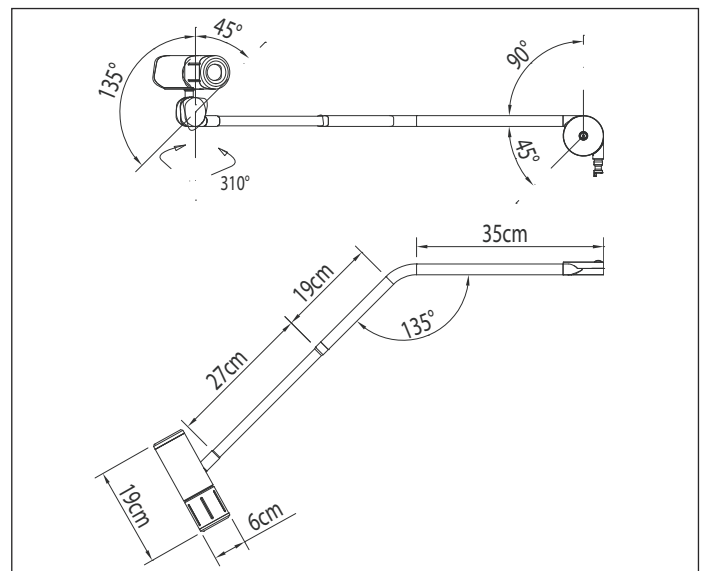


Brandon Medical
Holme Well Road, Leeds
LS10 4TQ
Tel: +44 (0)113 2777 393
Fax: +44 (0)113 2728 844
Email: enquiries@brandon-medical.com
www.brandon-medical.com

TECHNICAL DRAWING FOR WALL, RAIL, WALL AND TABLE UNITS



GYNAECOLOGY CHAIR FASTENING



MOBILE

