



Atlas® Rigid Pendant

P1 Series

General Product Overview

Brandon Medical Ceiling Mounted Rigid Pendants are supplied at the customer specified height. The 300x300mm square column is powder coat finished to RAL9010 and supplied with a ceiling cover. Every pendant is bespoke, allowing for a wide range of 13A switched sockets, data sockets, equipotential earth sockets and up to 9 Medical Gas terminals.

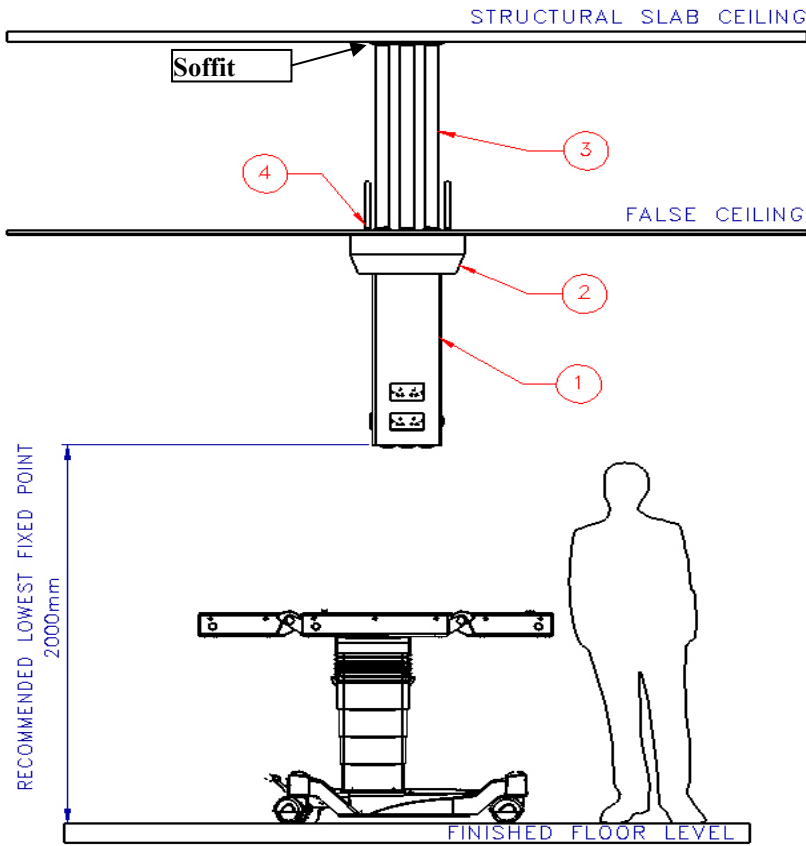
Main Features

- Modular and configurable design
- P1 series is available in different lengths to suit specific requirements
- Vertical mounted gas terminals. All terminal units used for medical gas are: Penlon East / Medaes Shield
- Low maintenance
- Manufactured in the UK

Standards

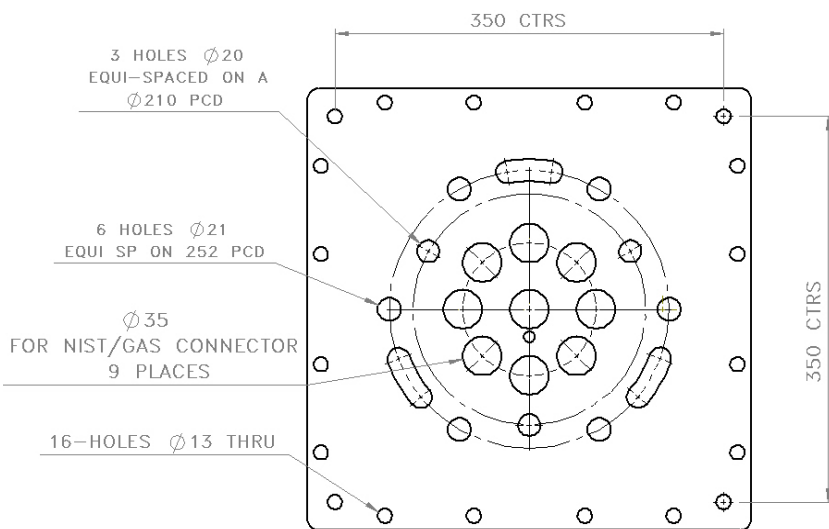
- HTM 02-01:
Health Technical Memorandum Medical Gas Pipeline Systems
- BS EN 7396:
Medical Gas Pipelines for Compressed Medical Gases and Vacuum
- BS EN 9170:
Terminal Units for use with Compressed Medical Gases and Vacuum
- BS EN 15908:
Non-interchangeable screw Threaded (NIST) Low-pressure Connectors for Medical Gases



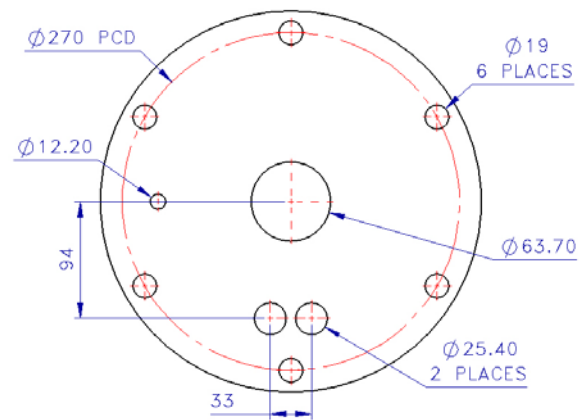


| | |
|---------------|----------------------|
| Item 1 | Rigid Pendant Body |
| Item 2 | Ceiling Cover |
| Item 3 | Ceiling Spacer |
| Item 4 | Adjustable Drop Rods |

| Description | Weight |
|------------------|--------|
| First Fix Spacer | 31kg |
| Pendant | 50kg |
| Total | 81kg |



First Fix Plate



Soffit Plate